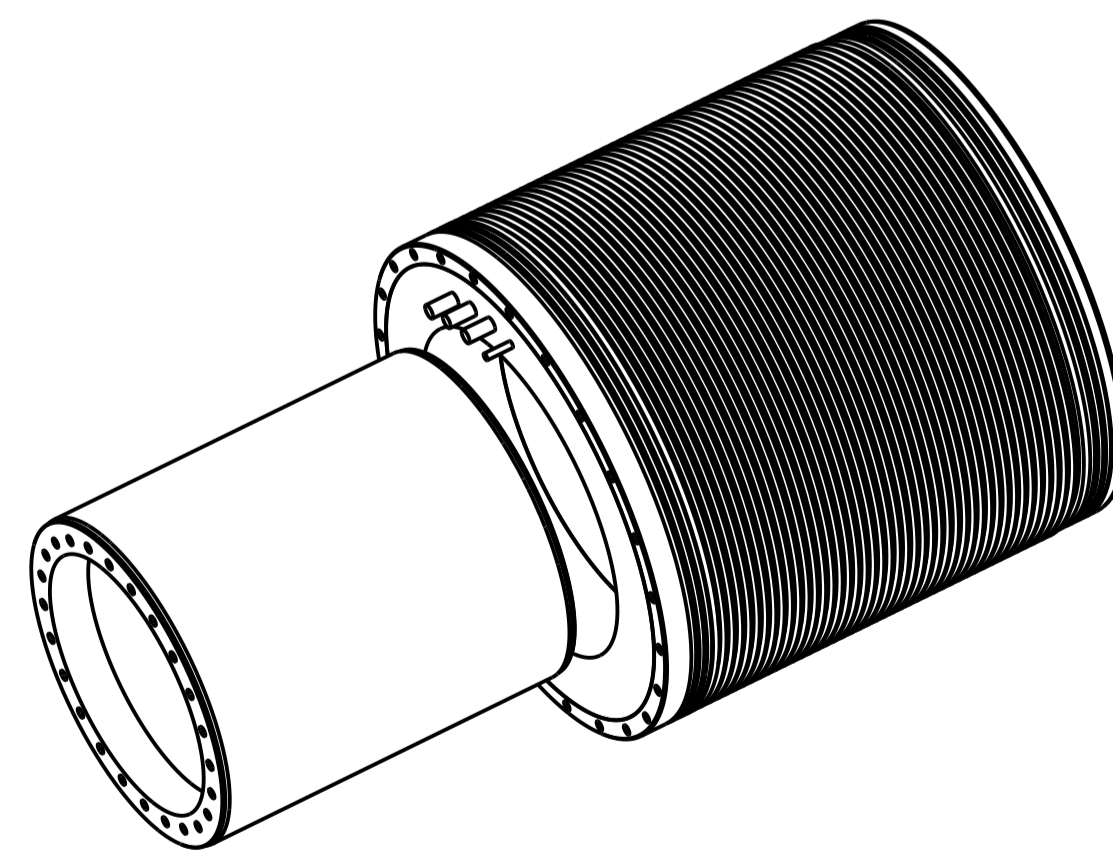
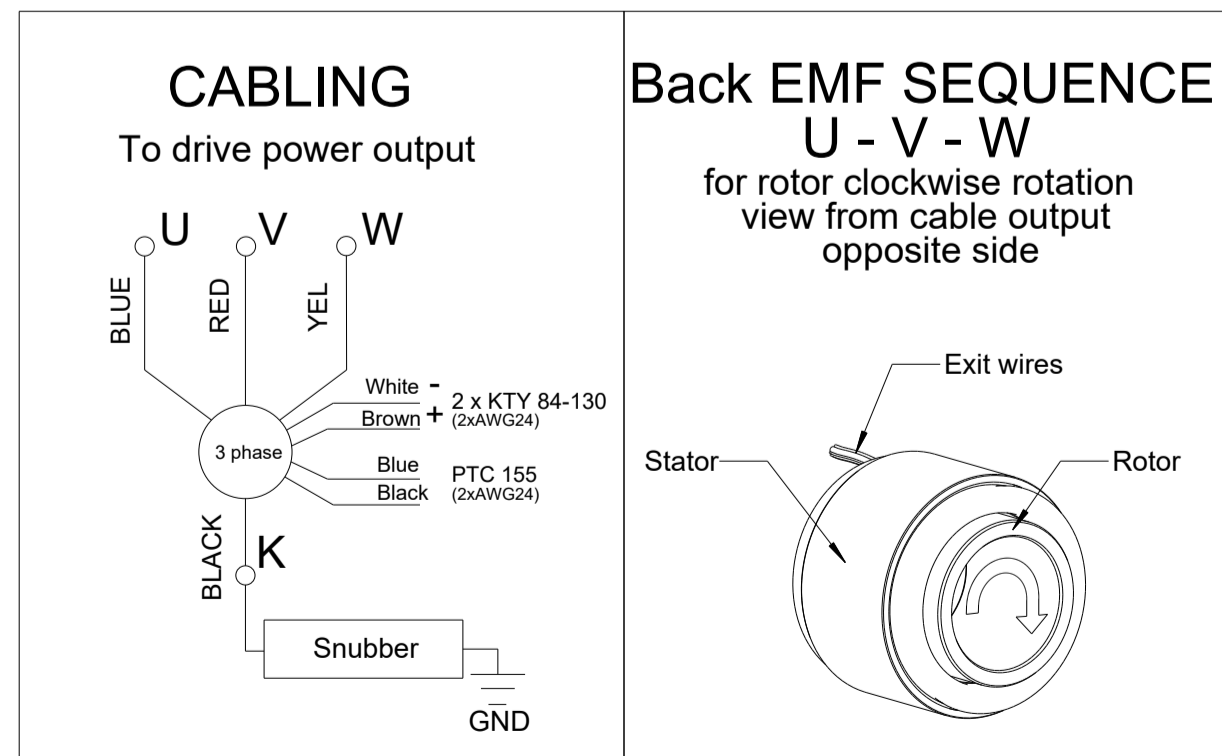


SECTION Z-Z



SCALE 1:5



Wires Data	
Type Motor	Squid Torque Motor
Power Wires (U,V,W)	Radox (**) mmq
Neutral Wire (K)	1mmq
Sensor Wires	AWG24
Length wires	1000 mm

**NOTE:** (\*) These dimension can be increased for low polarity motors, and must be confirmed together with detailed datasheet definition.  
 (\*\*) Dimensions dependent on the motor winding configuration.  
 General tolerance: geometrical tolerance (ISO 2768-2) class K linear tolerance (ISO 2768-2) class M.  
 (\*\*\*) Suggested position for hydraulic connectors.  
 (\*\*\*\*) To calculate the minimum number of screws, use follows formulas:  
 $X$  (N° Stator screw) = Stack length \* 0.055  
 $Y$  (N° Rotor screws) = Stack length \* 0.09  
 Calculation for screws property class 8.8  
 The number of screws can be reduced using higher property classes.

Type: Squid Torque Motor  
TK340-xxx-yyy

