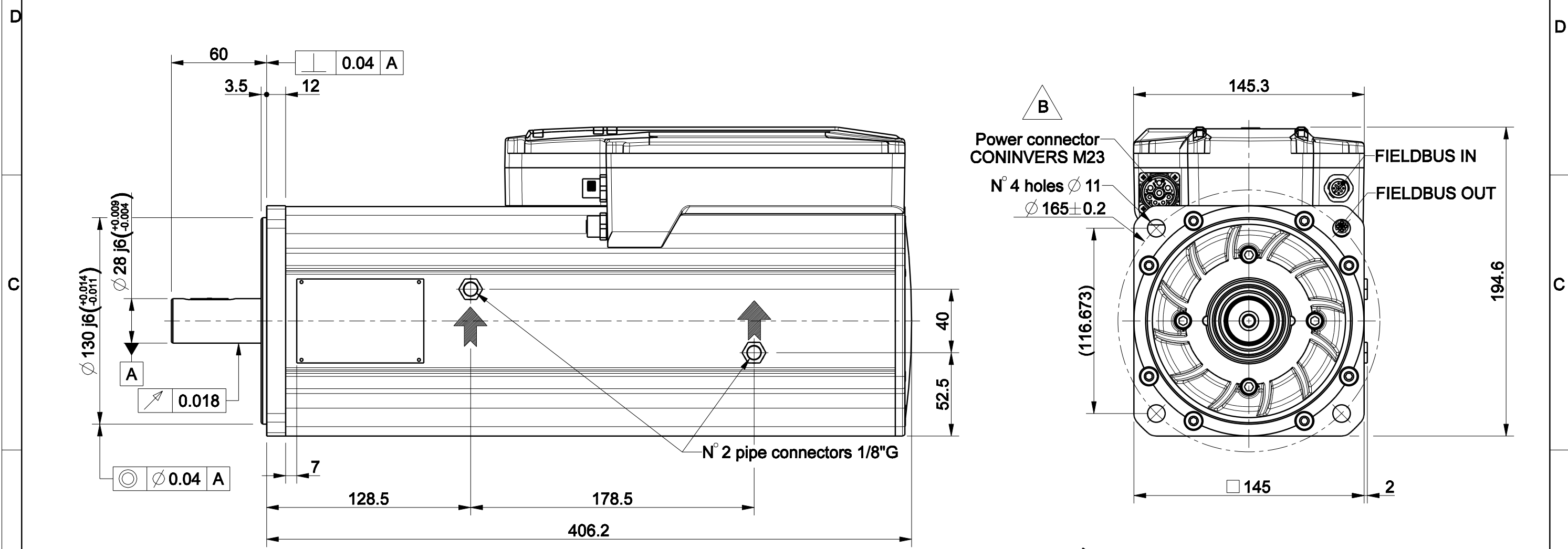


版本 Rev No.	描述 Description	日期 Date	姓名 Name
B	Changed the power connector type.	08/10/11	Zhou Dan



Approved

Signature _____ Date _____

Pins	Description	PIN OUT	CANOPEN Version M12 Codification A		EtherCAT Version M12 Codification D	
			Male	Female	IN Female	OUT Female
1	DC +	1	Shield	Shield	TX+	TX+
2	GND		Shield	Shield	TX+	TX+
3	DC -	2	+24V Supply	+24V Supply	RX+	RX+
4	0V SUPPLY		+24V Supply	+24V Supply	RX+	RX+
B	Aux in	3	CAN GND/ 0V Supply	CAN GND/ 0V Supply	TX-	TX-
C	+24V SUPPLY		CAN GND/ 0V Supply	CAN GND/ 0V Supply	TX-	TX-
A	+24V Safe H	4	CAN-H	CAN-H	RX-	RX-
D	+24V Safe L		CAN-H	CAN-H	RX-	RX-
		5	CAN-L	CAN-L	N.C.	N.C.

材质 Material	处理 Treatment	项目 Project-Prod.item/Instrument	描述 Description
		TW0740	MOTOR ASSEMBLY TW0740.20.4
几何公差 GB/T1184 (ISO 2768-2) Geometrical tolerance	未注公差 GB/T1804 (ISO 2768-2) Linear tolerance	未注倒角 Undimensioned chamfers	图号 Drawing No.
K	m	1x45°	50862N-0-B-3
角度公差 Angular tolerance	未注圆角 Undimensioned radii	R0,5	重量 Kg Mass
±1°	±0.1		27.464
0.5 +3	>3+ 6		数量 Qty
>6+ 30	>30+ 120		1/1
>120 +400	>400+ 1000		
>2000 +4000	>2000 +4000		
±0.1	±0.1		
±0.2	±0.2		
±0.3	±0.3		
±0.5	±0.5		
±0.8	±0.8		
±1.2	±1.2		
±2			
年,月,日 Date	名字 Name	版 Rev	B
25/12/09	PMC	比例 Scale	2:5
08/10/11	PMCNB	页码 Sheet	1/1
设计 Designed	检查 Checked	重量 Kg Mass	数量 Qty
		27.464	1/1

