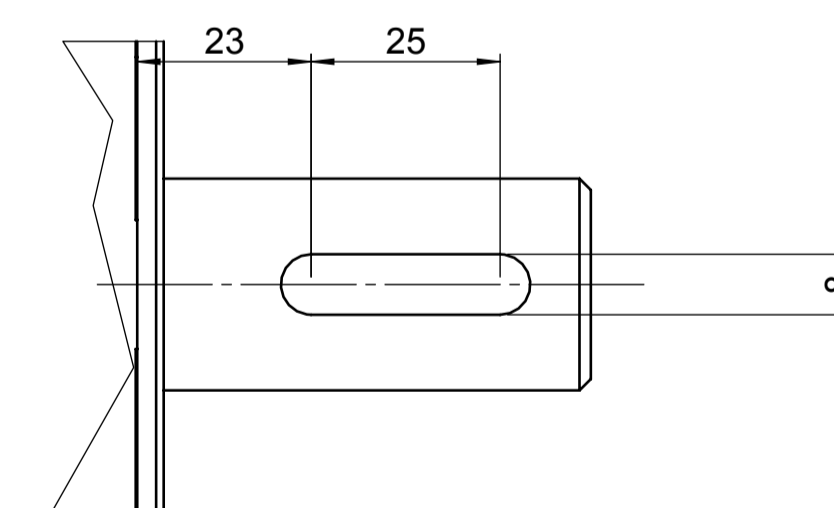
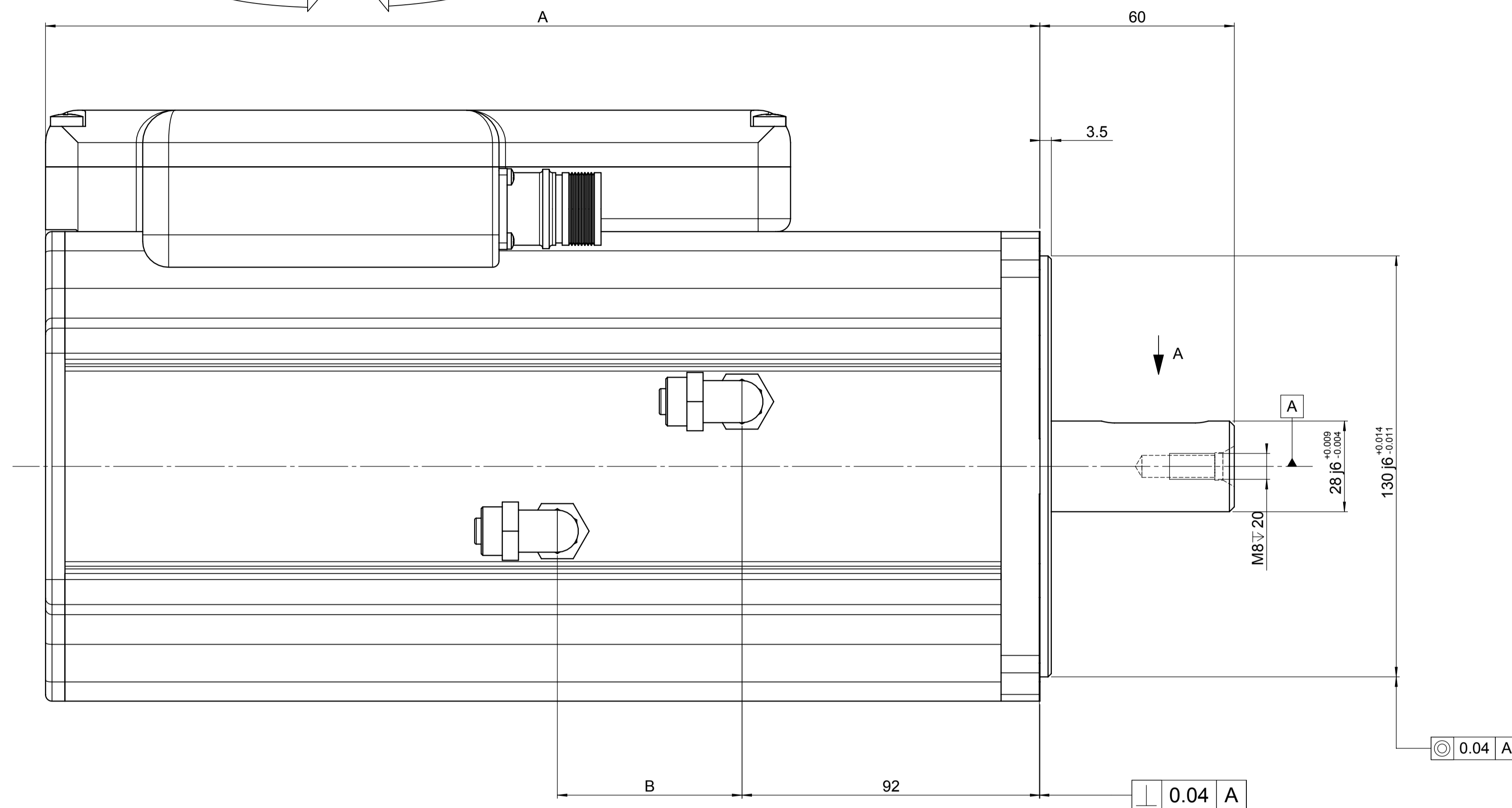
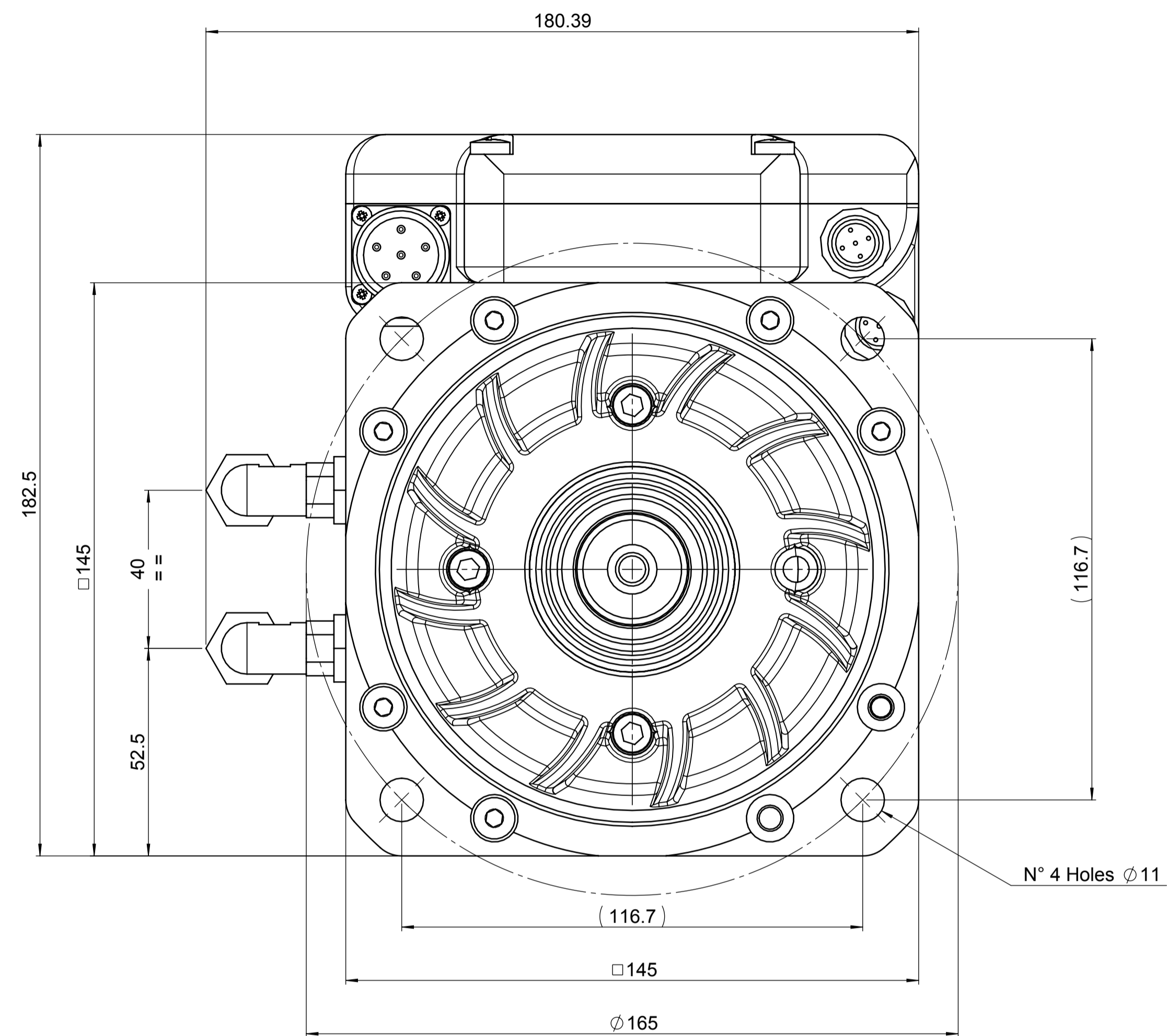
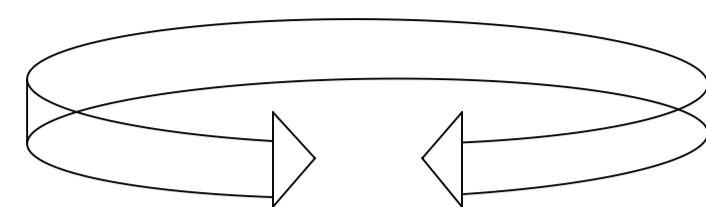


180° Turnable Box
Two possible factory configuration



VIEW A
Optional key 8x7x32

| Type | A (mm) | B (mm) |
|-------------|--------|--------|
| TW 720.XX.X | 304 | 57 |
| TW 730.XX.X | 351 | 105 |
| TW 740.XX.X | 402 | 155 |

Type: TW 7XXC.XX.X

Assembly with Water cooling (C)