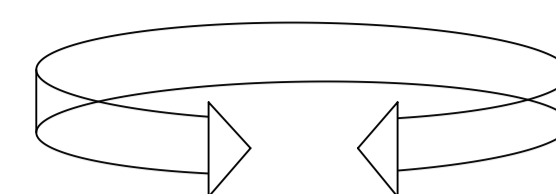
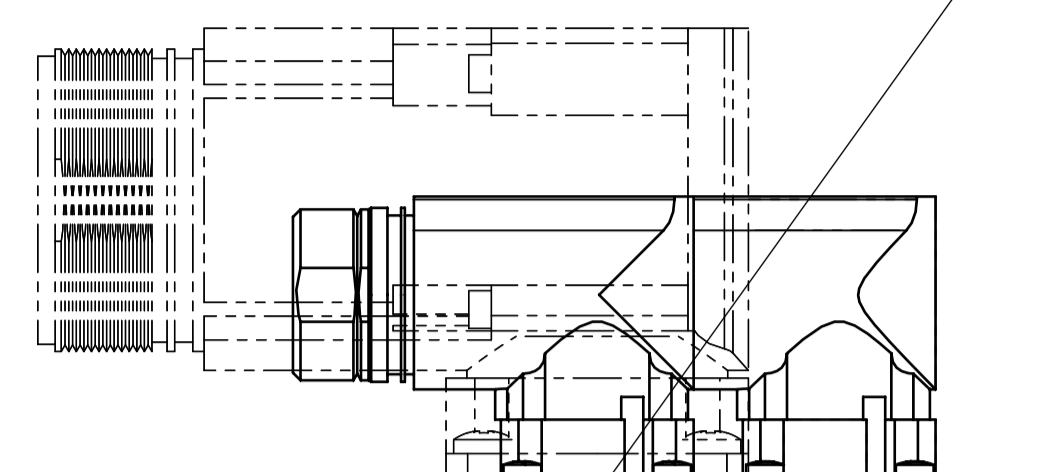


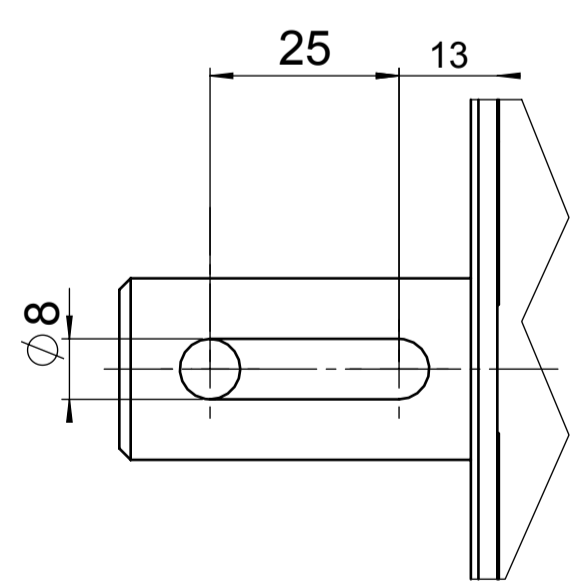
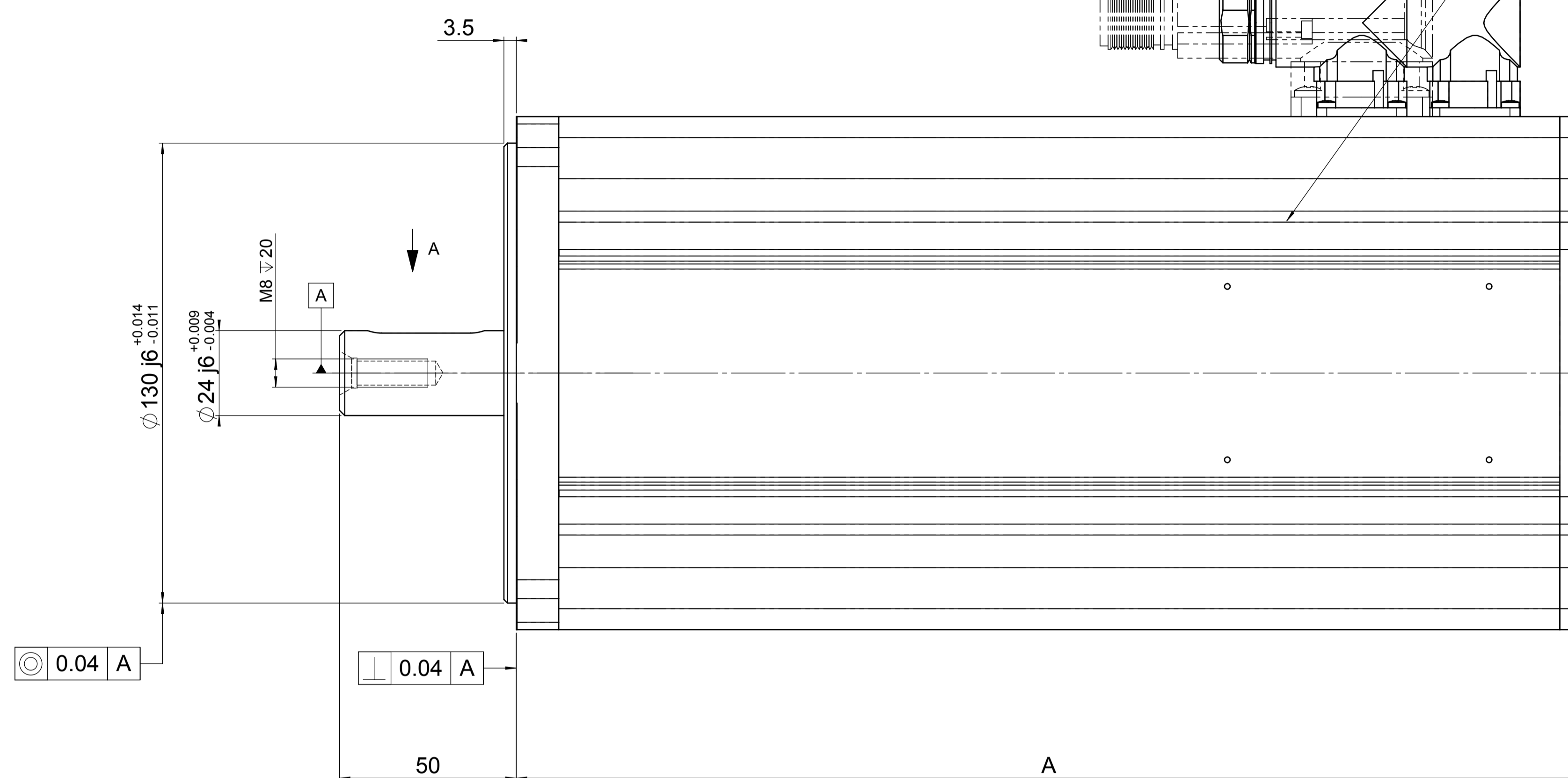
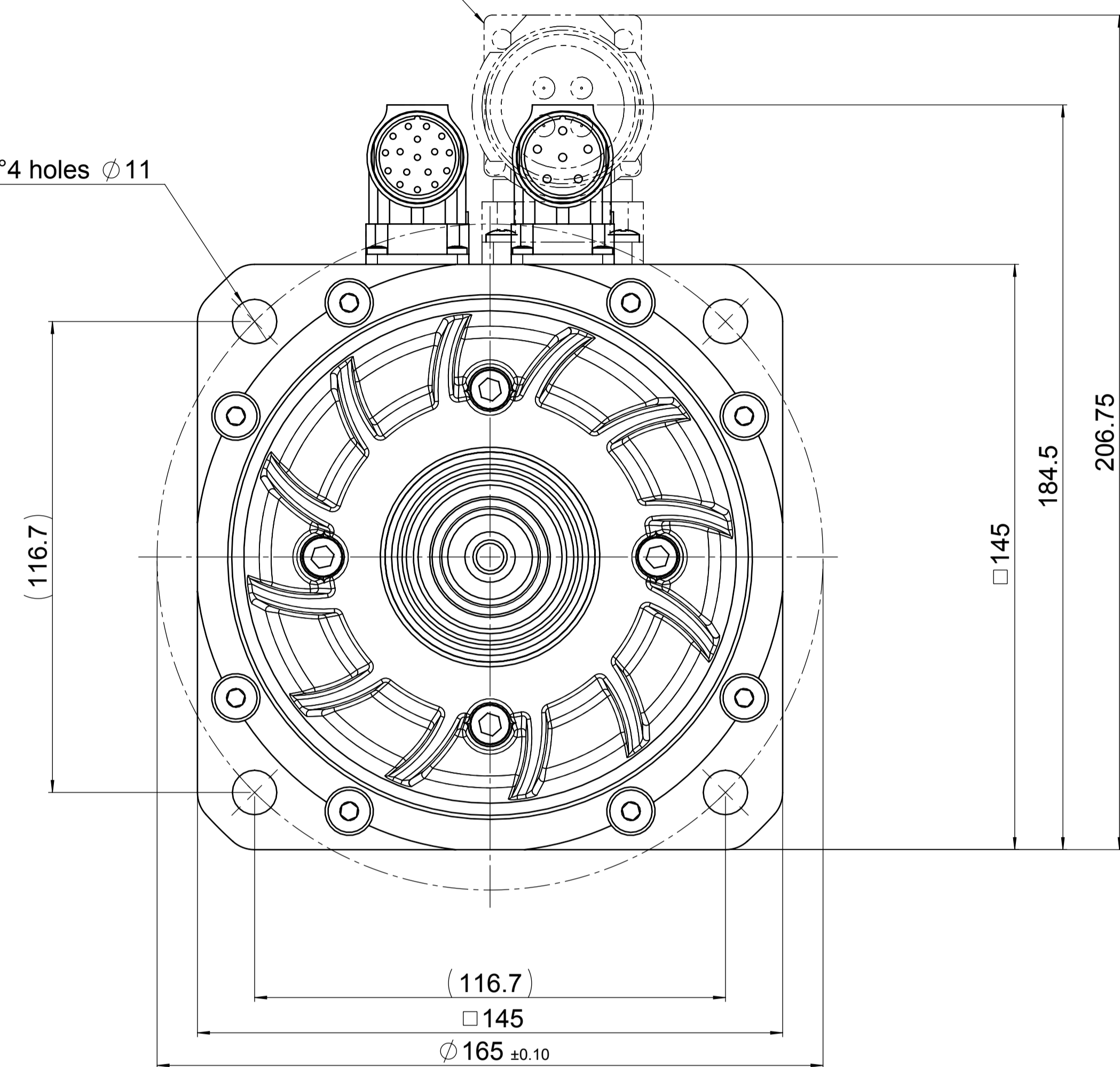
270° Turnable Connectors



Power connector size 1,5 Used for motors with $I_o > 30$ Arms



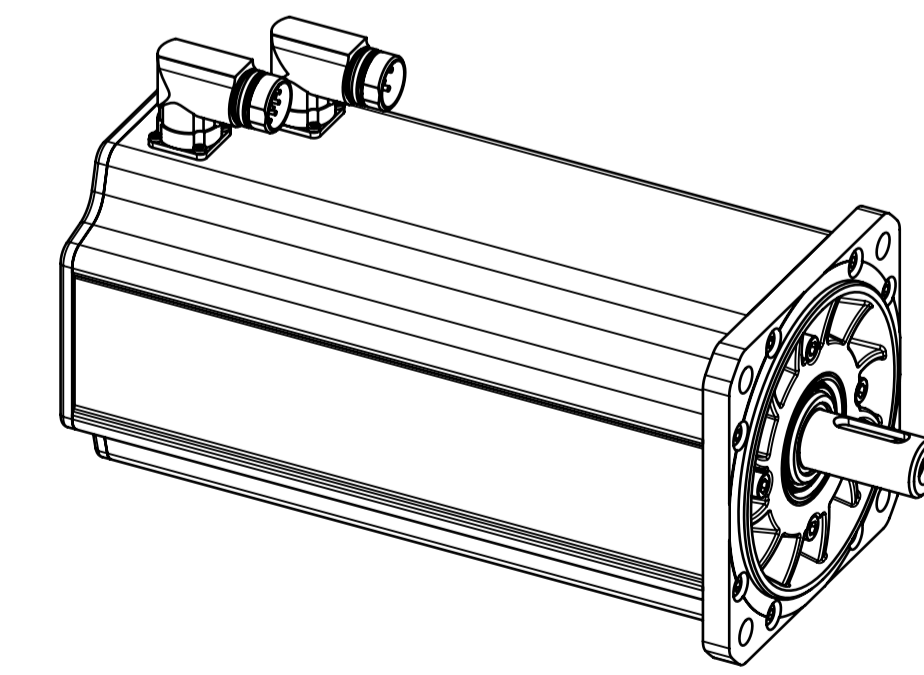
N°4 holes $\phi 11$



VIEW A

Optional key UNI 6607 A 8x7x32

Type	A (mm)
U3 710 S	204
U3 710 (B/J)	254
U3 720 (B/J)	301
U3 730 (B/J)	351
U3 740 (B/J)	402



Type: U3 07XX.XX.X
 Assembly with Brake(B) or Inertia(J)

